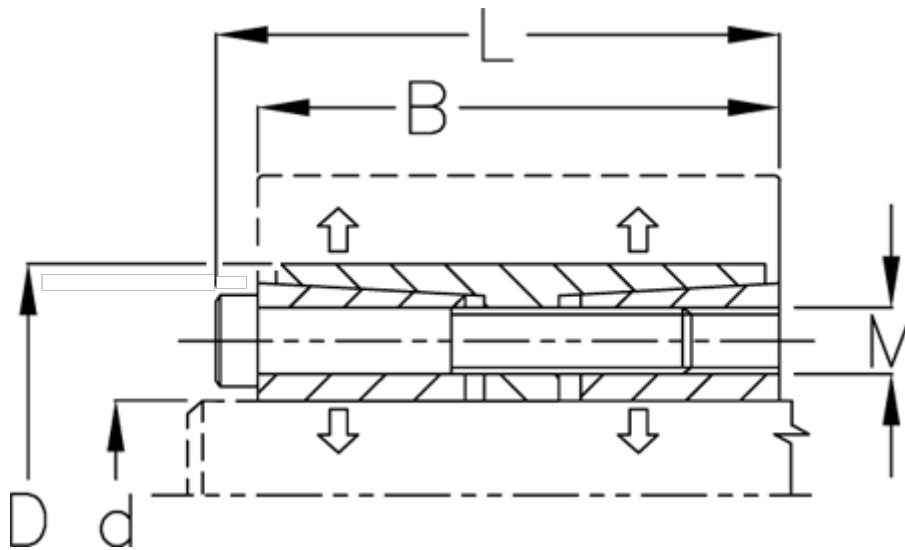


Article number: 439500400  
 Description: Rota-fix shaft-hub connection F400x495  
 Steel  
 Note: Self centering. Very high torque

## Measures



B mm	= 202
d H8 mm	= 400
D mm	= 495
Fit tolerance	= Aksel h8, Nav H8
F kN torque	= 3600.0
L mm	= 224
M mm	= M22
P N/mm <sup>2</sup> surface pressure on shaft/hub	= 105

Surface roughness	= R? ? 3.2 µm
T N m torque	= 720000
Ts N m bolt tightening torque	= 930.0